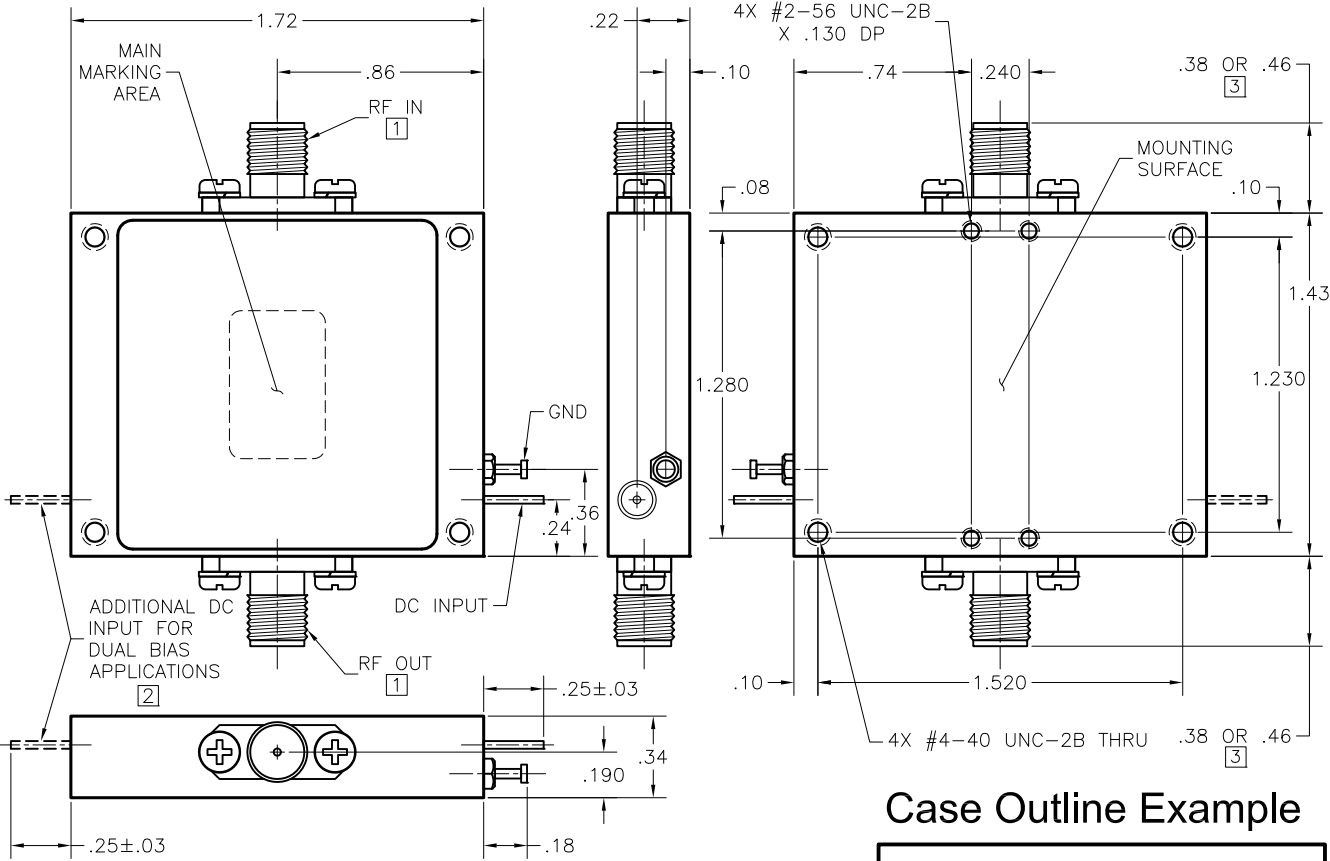


RF CONNECTOR IN / OUT HI-POWER AMPLIFIER



UNLESS OTHERWISE SPECIFIED
DIMENSIONS ARE IN INCHES.
TOLERANCES ARE:
.XX±.02 .XXX±.005

NOTES: (Unless Otherwise Specified)

- 1 RF CONNECTORS ARE SMA, 2.92mm OR 1.85mm FEMALE.
- 2 ONLY USED ON PACKAGE NUMBERS ENDING IN "D".
- 3 CONNECTOR DIMENSIONS:
SMA & 2.92mm FEMALE ARE .38". 1.85mm FEMALE IS .46".

Hi-Power Amplifier Outline Drawing for Cases with Female Connectors. Male Connectors available upon request. Waveguide options are available for Products operating >18 GHz

Case Outline Example

Input RF Connector:	Function:	Output Connector Type:
S=SMA	H=Hi-Power	M=Male
K=2.92mm	Amplifier	F=Female
V=1.85mm		

SF05HSFS

Input Connector Type:	Output RF Connector:	Bias Pin Configuration:
M=Male	S=SMA	S=Single Bias
F=Female	K=2.92mm	D=Dual Bias
	V=1.85mm	