

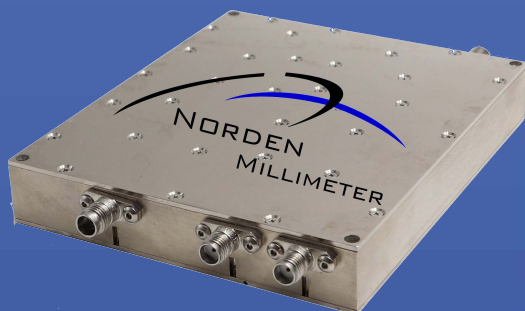
DATASHEET

Norden Millimeter is the leading developer of microwave and millimeter wave products, creating standard and custom RF amplifiers, frequency multipliers, frequency converters, and custom assemblies.

NDC2650I0318N18 FEATURES

RF Input Frequencies
Bypass: 0.5 - 26.5 GHz
Band 1: 26.5 - 40 GHz
Band 2: 40 - 50 GHz

IF Output Frequencies
Bypass: 0.5 - 26.5 GHz
Band 1: 3.2 - 16.7 GHz (inv.)
Band 2: 7.6-17.6 GHz (inv.)



LO Input Frequency
14.4 (All Bands)

As a part of Norden Millimeter's standard catalog of down converter products, the NDC2650I0318N18 is an example of our expanding line. Our down converters have applications for commercial, military, and test markets.

The NDC2650I0318N18 is offered with an 0.5-26.5 GHz bypass. Custom designs, which incorporate variable attenuation, hermetic cases, and operating temperatures of -40c to +85c are available.

We encourage you to contact our sales team at 530-642-9123 to discuss your questions and applications. With down converters, up converters, transceivers, and other products operating between 0.5 and 110 GHz, Norden Millimeter is the top choice for both standard products and custom assemblies.

Norden Millimeter is ISO 9001:2015 and AS 9100D Certified.

NDC2650I0318N18

0.5 - 50 GHz DOWN-CONVERTER
W/ 0.5 - 26.5GHz BYPASS

SPECIFICATIONS

RF1 Input Frequency		
Bypass Path	0.5 – 26.5	GHz
RF2 Input Frequency		
Band 1	26.5 - 40	GHz
Band 2	40-50	GHz
IF1 Output Frequency		
Bypass	0.5 – 26.5	GHz
Band 1	3.2 – 16.7 (inverted)	GHz
Band 2	7.6 – 17.6 (inverted)	GHz
LO Input Frequency		
All Bands	14.4	GHz
LO Drive Level	0 to -3	dBm
RF / IF / LO Input Port VSWR	2.5:1 max	
Noise Figure	18	dB Max
Bypass Path Insertion Loss		
0.5-18GHz	4	dB
18-26.5GHz	6	dB
Max IF Input Without Damage	10	dBm
RF / IF Gain	5 nom., 2 min. / 9 max.	dB
IIP3	-8	dBm min
Image Rejection (referenced to either RF input)	60	dBc min
RF1, RF2 to IF Rejection, In IF Band	65	dBc min
Single Tone Spurious	-40dBc max. (<-60dBc typ.) at -40dBm RF input	
Connectors		
RF1 input (0.5-26.5 GHz)	SMA-F	
RF2 input (26.5-50 GHz)	2.4 mm-F	
LO Input	SMA-F	
IF1 output	SMA-F	
DC power / Control	Solder pins (+6v, BS1, BS2, Standby, GND)	
Band Turn-On / Switching Time	250 uSec max.	
Band Operation	Sequential (non- simultaneous)	
DC	+6V +/-5%, 1400 mA max., 85mA max. in Standby	
Specified Performance Temperature	25c+/-5	°c
Operating Temperature	-20 to 60	°c
Size	Outline Drawing OL-05220	

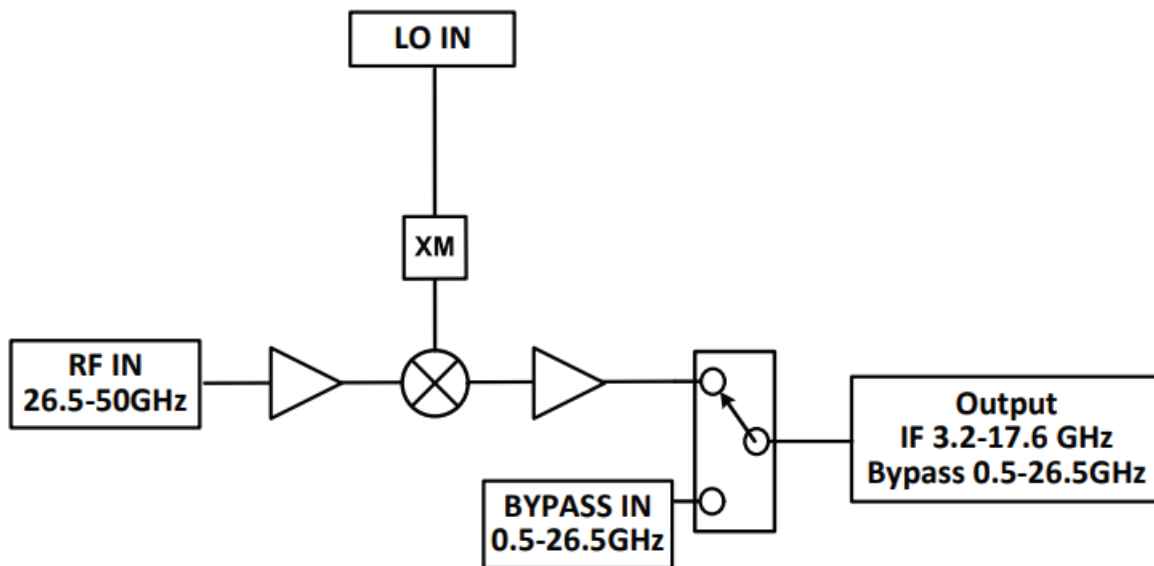
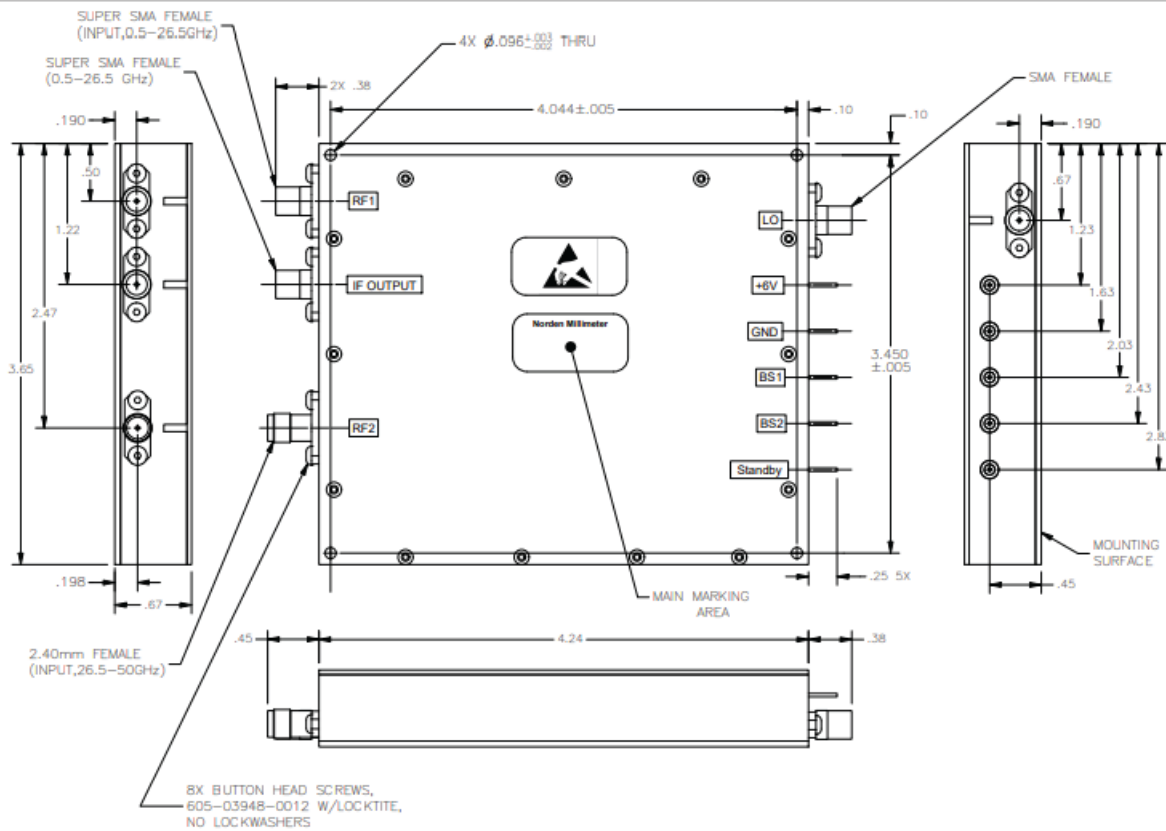


5441 Merchant Circle
Placerville, CA 95667
(530) 642-9123
www.nordengroup.com

NDC2650I0318N18

0.5 - 50 GHz DOWN-CONVERTER

W/ 0.5 - 26.5GHz BYPASS



NORDEN
MILLIMETER

5441 Merchant Circle
Placerville, CA 95667
(530) 642-9123
www.nordengroup.com