



DATASHEET

Norden Millimeter is the leading developer of microwave and millimeter wave products, creating standard and custom RF amplifiers, frequency multipliers, frequency converters, and custom assemblies.

IFF TRANSCEIVER FEATURES

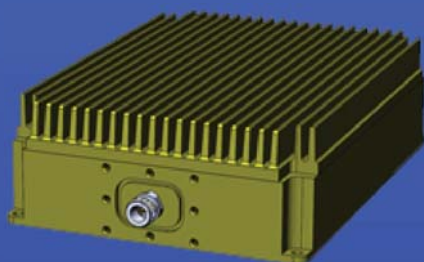
Transmit Frequencies
1024-1036 MHz

Receive Frequencies
1090 MHz

Peak Output Power
4000 Watts

Dynamic Range
60 dB

Callibration
Stored onboard in EEPROM



Norden Millimeter's IFF Transceiver comes equipped with the following specifications:

Transmitter

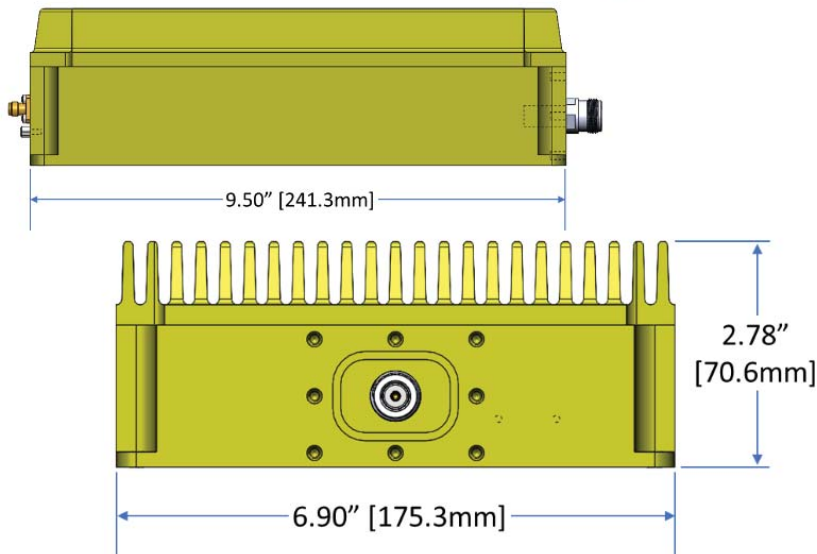
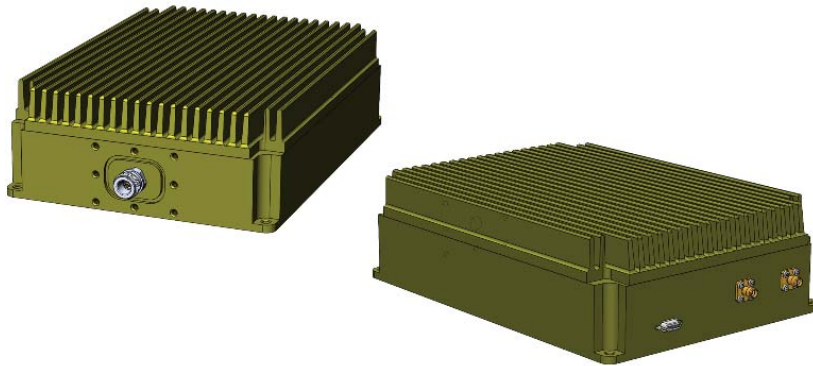
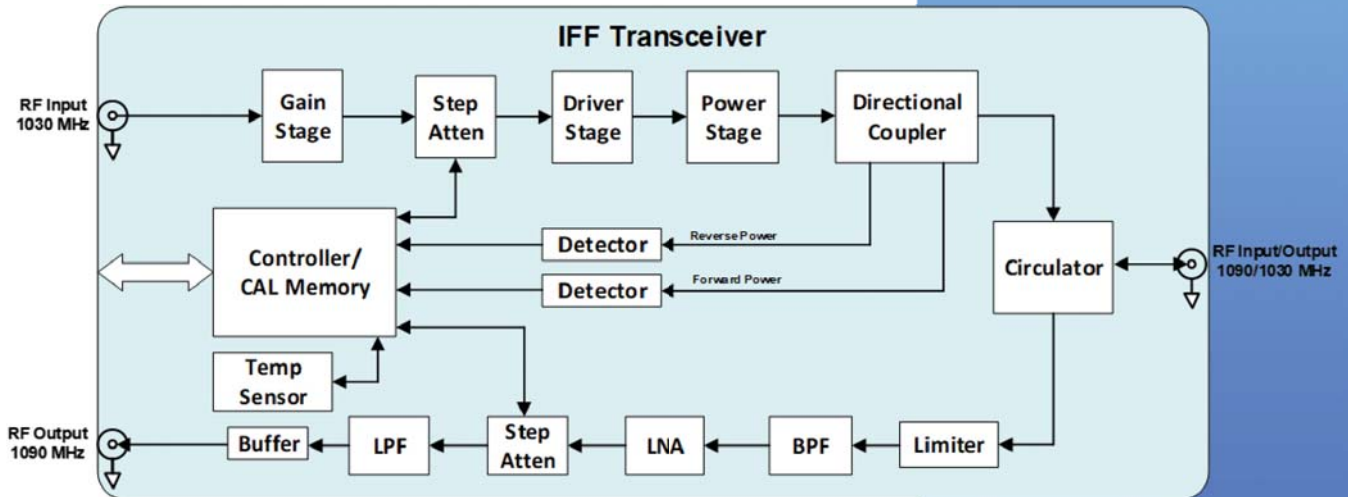
- Frequency Range 1024 to 1036 MHz
- Input Power: -6 to 3 dBm; 0 dBm (nominal)
- Peak Output Power: 4000 Watts (66 dBm)
- Maximum Duty Cycle 2%
- Maximum Pulse Width 32 μ sec
- Pulse Ripple: +/- 0.5 dB Ripple on Pulse, +/- 1 dB Pulse to Pulse
- Output Power Control: 54 to 66 dBm in 1 dB Steps
- Maximum Operating VSWR 1.5:1
- Transmitter Forward and Reverse Power Monitor
- Diplexer/ Circulator Output

Receiver

- Frequency Range: 1090 MHz
- IBW: 10 MHz
- Internal Limiter
- Pre-Selection Filtering
- Sensitivity: -81 dBm MDL
- Dynamic Range: 60 dB
- Attenuation Range: 30 dB
- Attenuation Step Size: 0.5 dB
- Receiver Maximum Output: 0.5 V P-P into 50 ohms (4 dBm)

NTR11-109

IFF TRANSCEIVER
4000 WATT PEAK OUTPUT POWER



ADDITIONAL FEATURES

Size

- 9.5 in. X 6.9 in. X 2.8 in.
- Input Power
- 50 to 52 Volts @ 6 A
(Voltage can be tailored to customer requirements)

Cooling

- Forced Air

Calibration

- Attenuation vs. Control Voltage
- RF Power vs. Detector Voltage
- Stored onboard in EEPROM

Interface

- Control Interface adaptable to customer requirements
 - Attenuator Control
 - Temperature Monitor
 - RF Power Monitors

Environmental

- 0°C to +50°C Operating Range
- -40°C to +70°C Non-Operating Range
- 0 to 95% relative non-condensing humidity
- 50,000 FT ASL Non-Operating Transport



5441 Merchant Circle
Placerville, CA 95667
(530) 642-9123
www.nordengroup.com