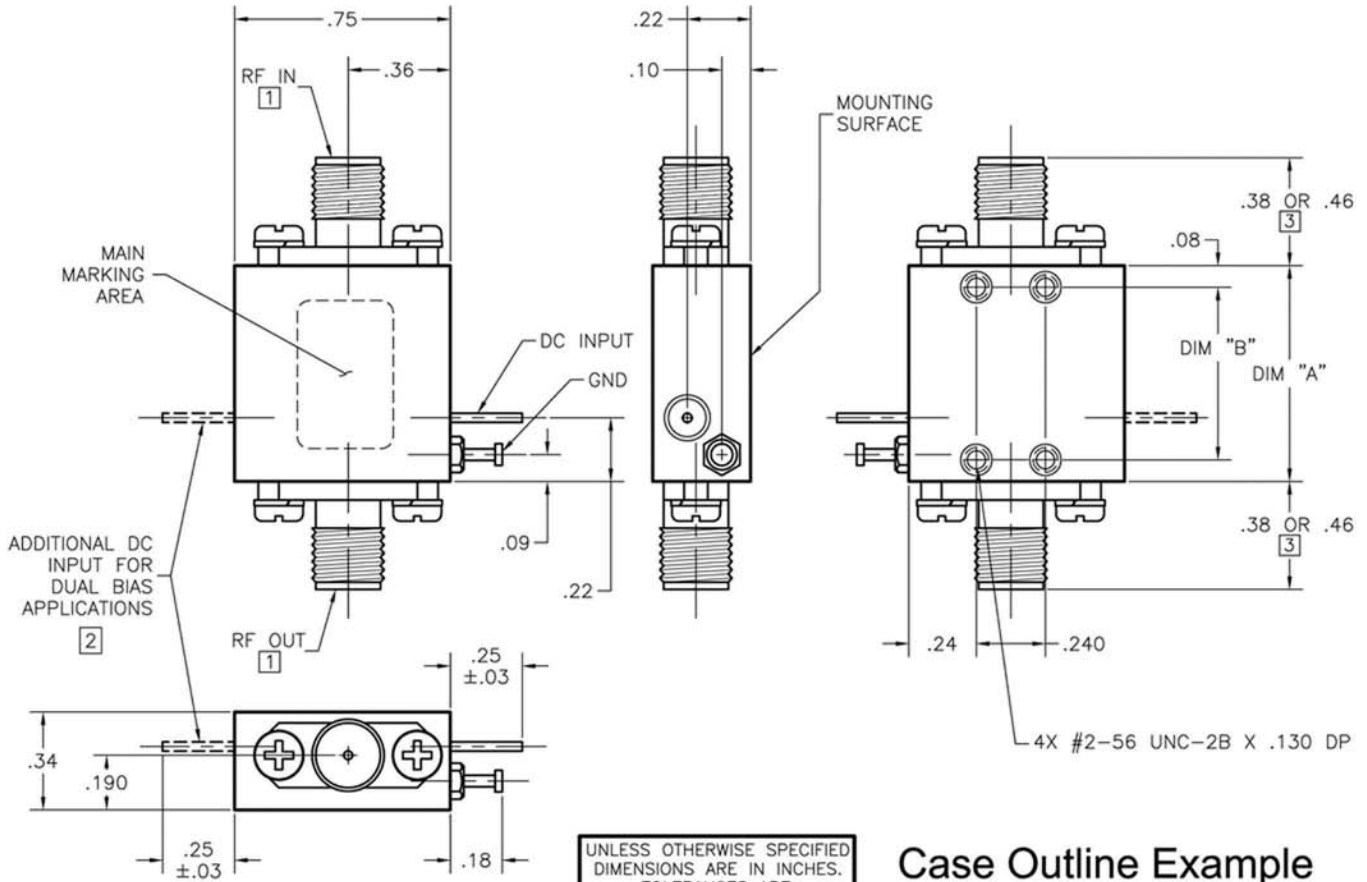


STANDARD CONNECTORIZED AMPLIFIER/MULTIPLIER



UNLESS OTHERWISE SPECIFIED
DIMENSIONS ARE IN INCHES.
TOLERANCES ARE:
.XX±.02 .XXX±.005

NOTES: (Unless Otherwise Specified)

- 1 RF CONNECTORS ARE SMA, 2.92mm OR 1.85mm FEMALE.
- 2 ONLY USED ON PACKAGE NUMBERS ENDING IN "D".
- 3 CONNECTOR DIMENSIONS:
SMA & 2.92mm FEMALE ARE .38".
1.85mm FEMALE IS .46".

Standard Outline Drawing for Cases with Female Connectors. Male Connectors available upon request. Waveguide options are available for Products operating >18 GHz

PACKAGE#	DIM "A"	DIM "B"
03	.75	.600
04	.95	.800
05	1.15	1.000
06	1.35	1.200
07	1.55	1.400
08	1.75	1.600
09	1.95	1.800
10	2.15	2.000
11	2.35	2.200
12	2.55	2.400
13	2.75	2.600
14	2.95	2.800
15	3.15	3.000

Case Outline Example

