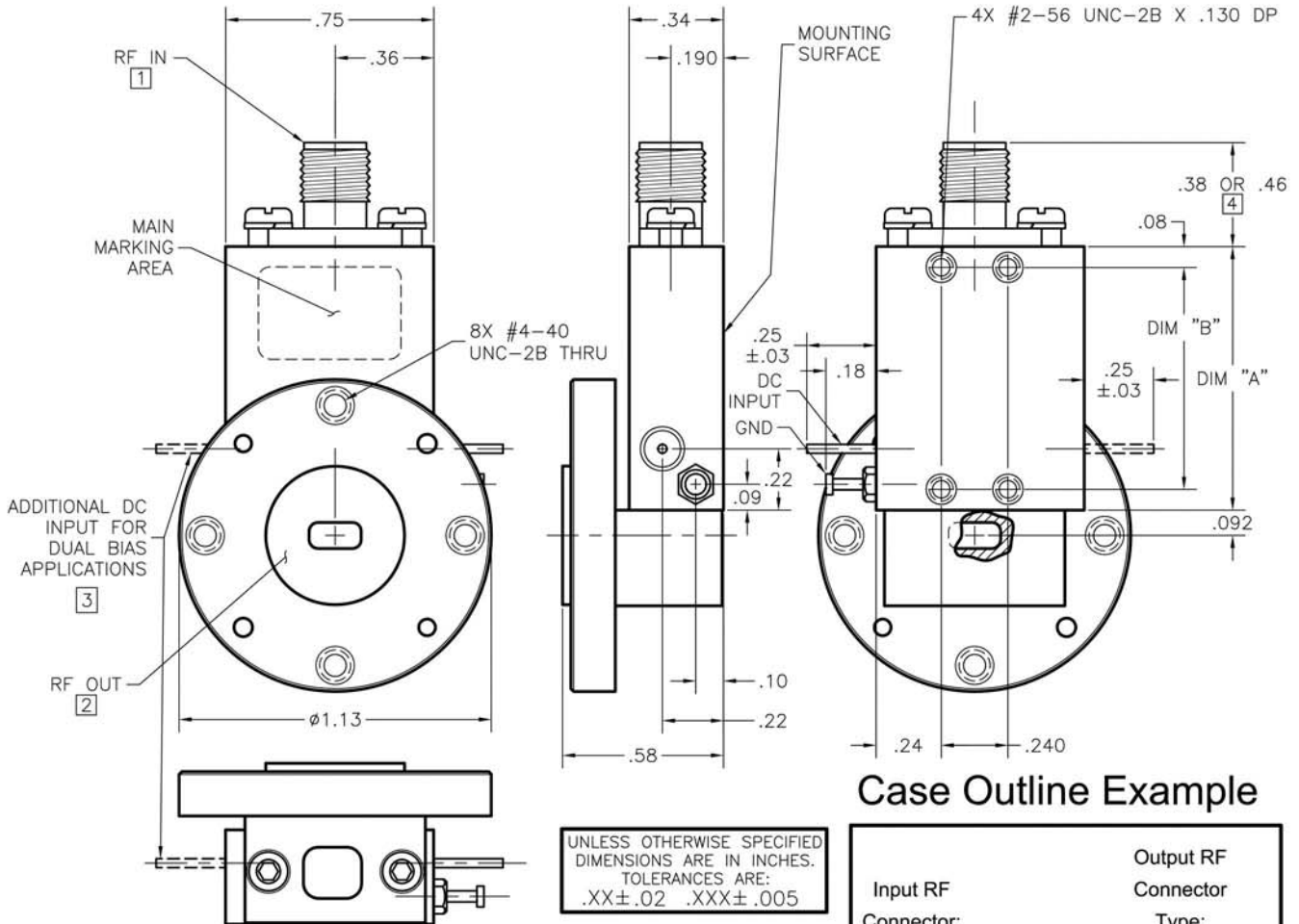


# RF CONN IN / WR-19/22 WG ROUND FL. OUT AMPLIFIER/MULTIPLIER



## Case Outline Example

Input RF Connector:	S=SMA K=2.92mm V=1.85mm	Function:	A=Amplifier M=Multiplier	Output RF Connector Type:	19=WR19 22=WR22 Round Fl.
---------------------	-------------------------------	-----------	-----------------------------	---------------------------	---------------------------------

SF04M22S

Input Connector Type:	M=Male F=Female	Bias Pin Configuration:	S=Single Bias D=Dual Bias
-----------------------	--------------------	-------------------------	------------------------------

PACKAGE#	DIM "A"	DIM "B"
__04__	.950	.800
__05__	1.150	1.000
__06__	1.350	1.200
__07__	1.550	1.400
__08__	1.750	1.600
__09__	1.950	1.800
__10__	2.150	2.000
__11__	2.350	2.200
__12__	2.550	2.400
__13__	2.750	2.600
__14__	2.950	2.800
__15__	3.150	3.000

NOTES: (Unless Otherwise Specified)

- [1] RF INPUT CONNECTOR IS SMA, 2.92mm OR 1.85mm FEMALE.
- [2] RF OUTPUT CONNECTOR IS WR-19 WG (UG-383/U-M) RD FL OR WR-22 WG (UG-383/U) RD FL.
- [3] ONLY USED ON PACKAGE NUMBERS ENDING IN "D".
- [4] CONNECTOR DIMENSIONS:  
SMA & 2.92mm FEMALE ARE .38".  
1.85mm FEMALE IS .46".